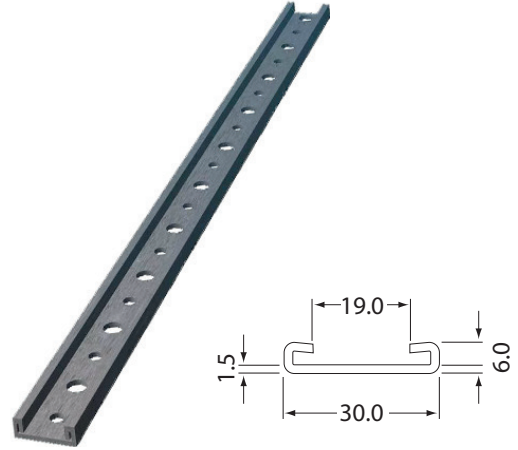


TECHNICAL DATA SHEET

TERMINATION BAR 30MMX3M

The Termination Bar is used for fixation of SealEco rubber membranes at terminations. The product is recommended for covered application only when the bar is protected by membrane, clad metal or other counter flashing.



Technical data

Material:	Galvanised steel, 15 cycles Kesternich
Fixation:	Holes 7 and 11 mm at 25 mm cc.
Shelflife:	Store dry in the original packaging. There are no limitations in shelf life.

Width (mm)	Thickness (mm)	Length (mm)	Weight (kg/pcs.)	Package/pallet (pcs)
30	1.5	3 000	2.0	100

Directions for use

Termination bars are used for base tie-in for naked and fleece backed EPDM membranes and for termination of EPDM membranes on upstands, parapets, etc.

The type of fastener is depending on the substrate. Fasteners have to be foreseen every 200 mm. When the membrane is not compressed equally, fasteners have to be added. This profile has to be fixed at max. 25 mm from the end. When cutting the profile, deburr sharp edges. Check instructions for base tie-in and roof terminations for more detailed information.

Disclaimer

Information contained in this data sheet is up-to-date and correct as at the time of issue. For latest version please always check www.sealeco.com